

Stabilized Telehandlers

P30.10

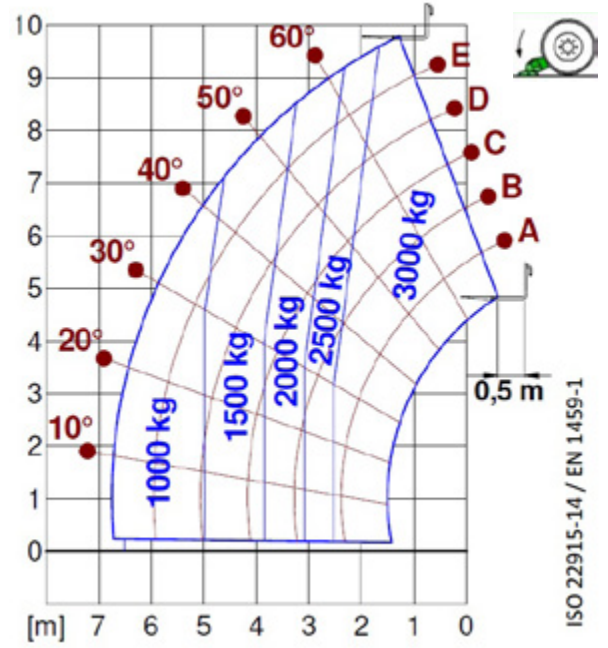
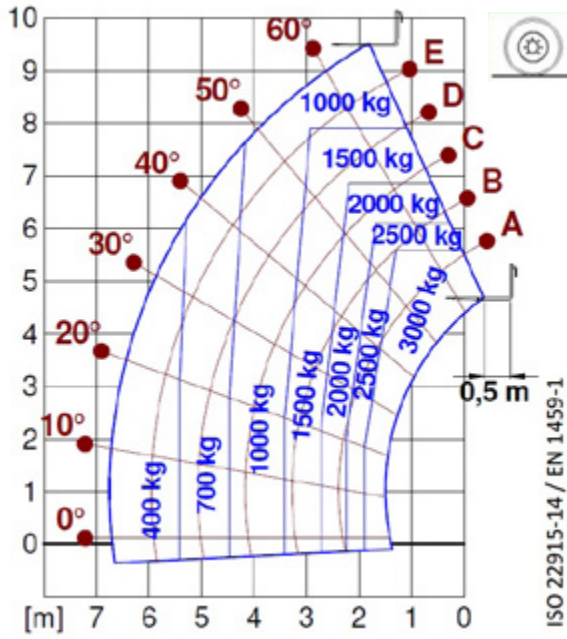




PERFORMANCE AND FEATURES	P30.10		
Performance			
Total unladen weight (kg)	7600		
Maximum capacity (kg)	3000		
Lifting height (m)	9,6		
Maximum reach (m)	6,5		
Maximum operating height (m)	9,6		
Maximum operating reach (m)	2,3		
Capacity at maximum height (kg)	3000		
Capacity at maximum reach (kg)	1000		
Lateral boom movement (mm)	-		
Tilting correction (%)	-		
Boom sections	3		
PowerTrain			
Turbo motor	KOHLER 2504 TCR		
Displacement/cylinders	2500/4		
Engine Power (kW/HP)	55,4/75,1		
Anti-pollution technology	STAGE V, DOC+DPF		
Reversible fan	●		
Maximum speed (km/h)	40		
Fuel tank (l)	80		
AdBlue tank (l)	-		
Hydrostatic transmission	● - 2V		
EPD	●		
Auto-revving joystick	●		
Axles - Reducers	Axial, Epicyclic		
Machine brakes	Dry disc		
Automatic parking brake	●		
Hydraulic			
Hydraulic pump	LS+FS		
Flow rate/pressure (l/min - bar)	117-210		
Hydraulic tank	85		
Hydraulic outlet at the top of the boom	●		
Rear hydraulic outlets	-		
Cab			
Cab configuration	ECO		
ASCS Adaptive Stability Control System	Light		
FOPS LIV II cab	●		
ROPS cab	●		
Cab commands	Electronic joystick		
Tilting Cab	-		
Reverse shuttle	Dual reverse		
Configuration			
Cab suspension	-		
Boom suspension	○		
Suspension on axles	-		
Work headlights on cab	○		
Sun blind	○		
Tac-lock	●		
Provision for a platform	○		
Two floating forks	●		
Inching-Control	●		
Four-wheel drive	●		
Four-wheel steering	●		
Three steering modes	●		
Standard tyres	400/70-20		
Optional tyres	405/70-24; 400/70-24		
Stabilisers	Narrow		
Turret rotation	-		
Type approval as an agricultural tractor	-		
Approval with PNEUMATIC braking	-		
Approval with HYDRAULIC braking	-		
PTO	-		
3-point linkage	-		

- Not Available
● Standard
○ Optional

Load charts

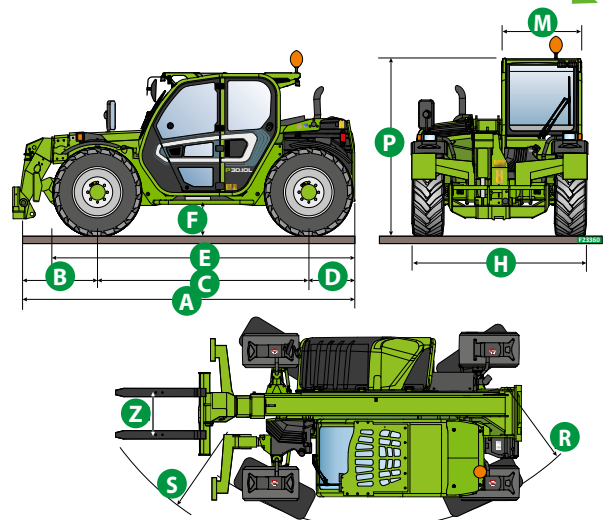


P30.10

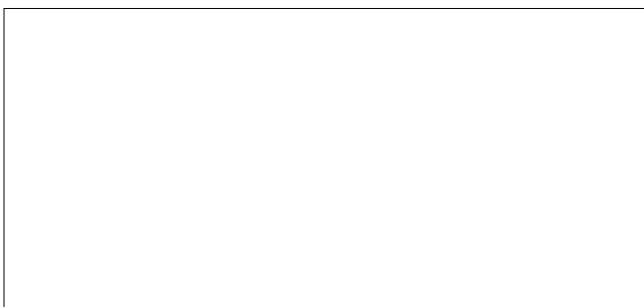
Dimensions



	P30.10		
A (mm)	4700		
B (mm)	1360		
C (mm)	2740		
D (mm)	600		
E (mm)	3910		
F (mm)	290		
H (mm)	2100		
M (mm)	1010		
P (mm)	2120		
R (mm)	3930		
S (mm)	5050		
Z (mm)	850		



Your Merlo dealer



MERLO S.P.A.

Via Nazionale, 9

12010 S. Defendente di Cervasca, (Cuneo) Italia

Tel. +39 0171 614111

Fax +39 0171 684101

info@merlo.com

www.merlo.com

